

Addendum To:

Wireless Temperature Station Installation Manual

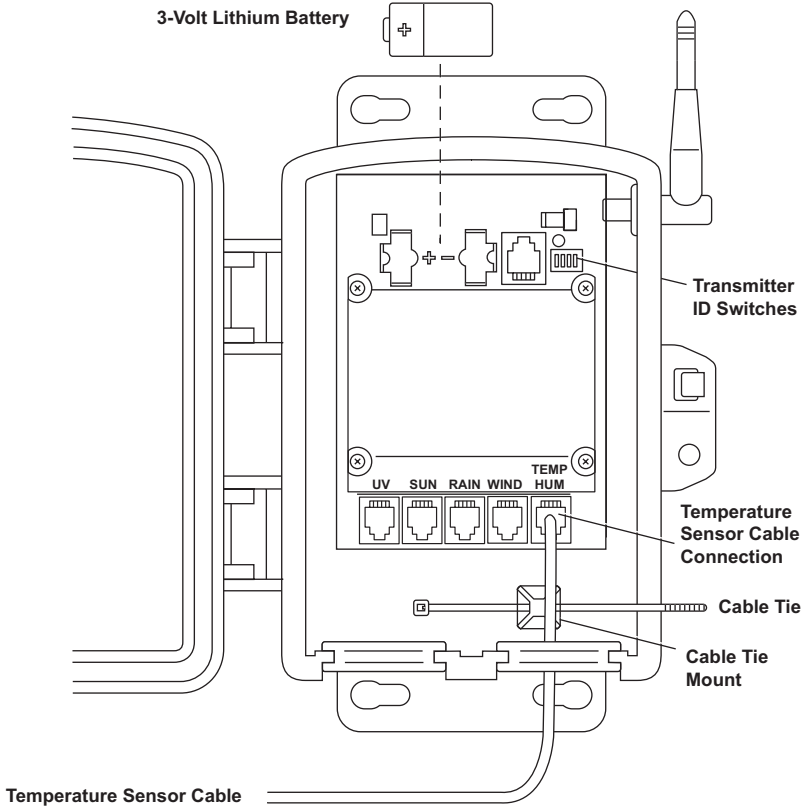
Changes Covered In This Addendum

- The temperature sensor is now shipped separately and must be connected to the Wireless Temperature Station during the installation.
- This station requires a few additional steps when you are setting the console/receiver(s) transmitter ID.

Temperature Sensor Connections

Please refer to the following instructions when you are preparing the Wireless Temperature Station for installation. Please perform these steps just before you install the 3-volt lithium battery, Page 3 in the Wireless Temperature Station Installation Manual.

1. **Open the station housing.**
2. **Take square rubber grommet from the right side on the bottom of the station housing**
3. **Run the temperature sensor cable through it.**
When you reinstall the grommet, be sure the connector end of the sensor cable is located on the inside of the housing. You'll need at least
4. **Install the grommet back into the slot in the station housing with the sensor cable connector , adjusting the inside cable length as needed for a tidy installation.**
5. **Refer to the illustration and connect the temperature sensor cable to the modular connector labeled TEMP/HUM.**
6. **Use the small, 4 inch (100 mm) cable tie provided with your station to secure the sensor cable to the cable tie mount.**
The cable tie will provide strain relief for the sensor cable connection.
7. **Continue with the installation as described in the Wireless Temperature Station Installation Manual, starting with Setting the Transmitter ID on page 4.**



Temperature Sensor Cable Installation

Setting Console/Receiver(s) to Same ID

Use this procedure instead of the one found at the top of page 5 in the Installation Manual.

Identify the Firmware Date on the Vantage Pro Console

1. **Press and hold the DONE key and press the “+” (up arrow) key at the same time.**
The firmware rev and date will scroll across the bottom of the LCD screen.
2. **Write the firmware date down:** _____

Setting the Vantage Pro Console

1. **Put your console into Setup Mode — press and hold the DONE key and press the “-” (down arrow) key.**
The console will show you Screen 1: Transmitters. You should see the words: “RECEIVING FROM...” and “STATION NO.” followed by the transmitter IDs that your console detects. One of these should be the ID number you just set on the temperature station transmitter. If you don’t see it, make sure the console is within 10’ of the transmitter, and verify that you set the DIP switches correctly. If you still don’t see it, refer to the “TEST mode” section on page 6 of the Installation Manual.
2. **Press the DONE key to move on to Screen 2: Selecting Transmitters.**
Setup Mode – Screen 2 is where you will set the console to recognize signals on the selected ID as coming from a temperature station.
3. **Press the LEFT or RIGHT arrow key, or the STATION key, to scroll through transmitter IDs.**
When you see the ID you chose for the temperature station, use the “+” (up arrow) or “-” (down arrow) keys to activate reception of that ID code. Make sure the screen shows “ON”.
4. **Press the GRAPH key to change the type of station assigned to that transmitter ID.**
Press the GRAPH key until the word “TEMP” appears.
5. **For firmware dated before January 2003: If you don’t see a “4X” next to the station type, press the HI/LOW key once.**
A “4X” should appear next to the station type.
6. **For firmware dated January 2003 or later: If you don’t see a “4X” next to the station type, Press and hold the TEMP key then press the HI/LOW key once.**
A “4X” should appear next to the station type.
7. **To exit Setup Mode, press and hold the DONE key.**
8. **Continue with the installation as described in the Wireless Temperature Station Installation Manual, starting with Viewing Current Temperature on page 5.**

FCC Part 15 Class B Registration Warning

This equipment has been tested and found to comply with the limits for a class B digital device, pursuant to Part 15 of the FCC Rules. These limits are designed to provide reasonable protection against harmful interference in a residential installation. This equipment generates, uses and can radiate radio frequency energy and, if not installed and used in accordance with the instructions, may cause harmful interference to radio communications. However, there is no guarantee that interference will not occur in a particular installation.

If this equipment does cause harmful interference to radio or television reception, which can be determined by turning the equipment off and on, the user is encouraged to try to correct the interference by one or more of the following measures:

- Reorient or relocate the receiving antenna.
- Increase the separation between the equipment and receiver.
- Connect the equipment into an outlet on a circuit different from that to which the receiver is connected.
- Consult the dealer or an experienced radio/TV technician for help.

Changes or modifications not expressly approved in writing by Davis Instruments may void the user's authority to operate this equipment.

Product Numbers: 6370

Part Number: 7395.139A

Wireless Temperature Station Installation Manual Addendum
Rev. B Manual (04/28/03)

This product complies with the essential protection requirements of the EC EMC Directive 89/336/EC.
Copyright ©2003 Davis Instruments Corp. All rights reserved.

Vantage Pro is a registered trademark

